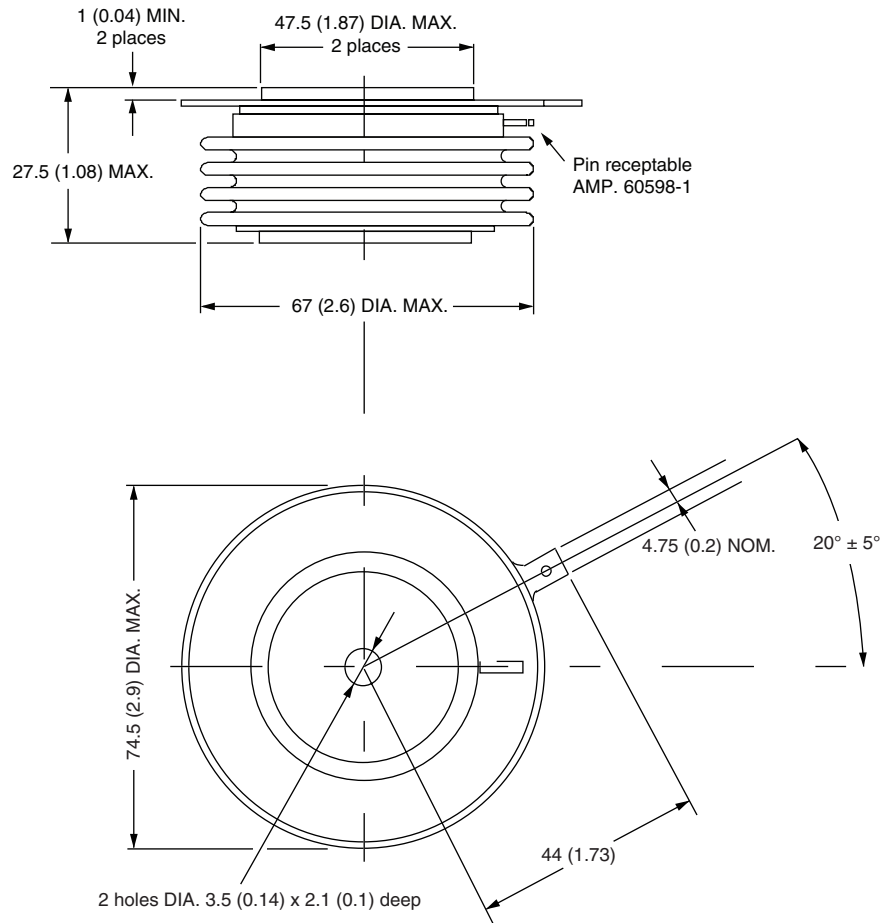


## A-24 (K-PUK)

**DIMENSIONS** in millimeters (inches)

### Case Style A-24 (K-PUK)

Creepage distance: 28.88 (1.137) minimum  
 Strike distance: 17.99 (0.708) minimum



Quote between upper and lower pole pieces has to be considered after application of mounting force (see thermal and mechanical specification)